

Are model and predictor filters equivalent?

Citation for published version (APA):

Weerts, H. H. M., Dankers, A. G., & van den Hof, P. M. J. (2015). *Are model and predictor filters equivalent? studying identifiability in a dynamic network identification setting*. Poster session presented at 24th Workshop of the European Research Network on System Identification (ERNSI 2015), September 20-23, 2015, Varberg, Sweden, Varberg, Sweden.

Document status and date:

Published: 01/01/2015

Document Version:

Other version

Please check the document version of this publication:

- A submitted manuscript is the version of the article upon submission and before peer-review. There can be important differences between the submitted version and the official published version of record. People interested in the research are advised to contact the author for the final version of the publication, or visit the DOI to the publisher's website.
- The final author version and the galley proof are versions of the publication after peer review.
- The final published version features the final layout of the paper including the volume, issue and page numbers.

[Link to publication](#)

General rights

Copyright and moral rights for the publications made accessible in the public portal are retained by the authors and/or other copyright owners and it is a condition of accessing publications that users recognise and abide by the legal requirements associated with these rights.

- Users may download and print one copy of any publication from the public portal for the purpose of private study or research.
- You may not further distribute the material or use it for any profit-making activity or commercial gain
- You may freely distribute the URL identifying the publication in the public portal.

If the publication is distributed under the terms of Article 25fa of the Dutch Copyright Act, indicated by the "Taverne" license above, please follow below link for the End User Agreement:

www.tue.nl/taverne

Take down policy

If you believe that this document breaches copyright please contact us at:

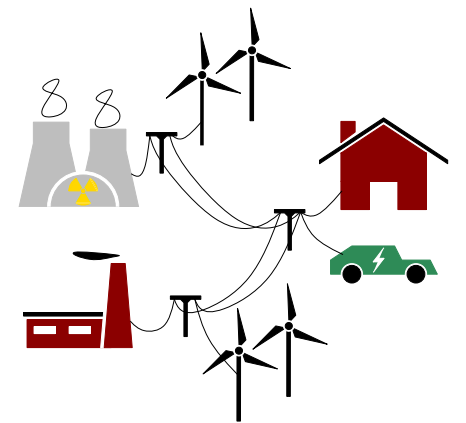
openaccess@tue.nl

providing details and we will investigate your claim.

Are model and predictor filters equivalent?

Studying identifiability in a dynamic network identification setting

Harm H.M. Weerts (h.h.m.weerts@tue.nl), Arne G. Dankers, Paul M.J. Van den Hof



Main question

In open- and closed-loop identification there is a one-to-one relationship between (parameterized) predictor filters and model¹, is that the case for dynamic networks?

Approach of the problem

Predictor filters have a one-to-one relation to the filter

$$T(q, \theta) = (I - G(q, \theta))^{-1} \begin{bmatrix} H(q, \theta) & R(q, \theta) \end{bmatrix}$$

which is under conditions has a one-to-one relation to the filters in $\mathcal{M}(q, \theta)$.

Example: Can we distinguish the two networks below on the basis of their transfers $r \rightarrow w$?

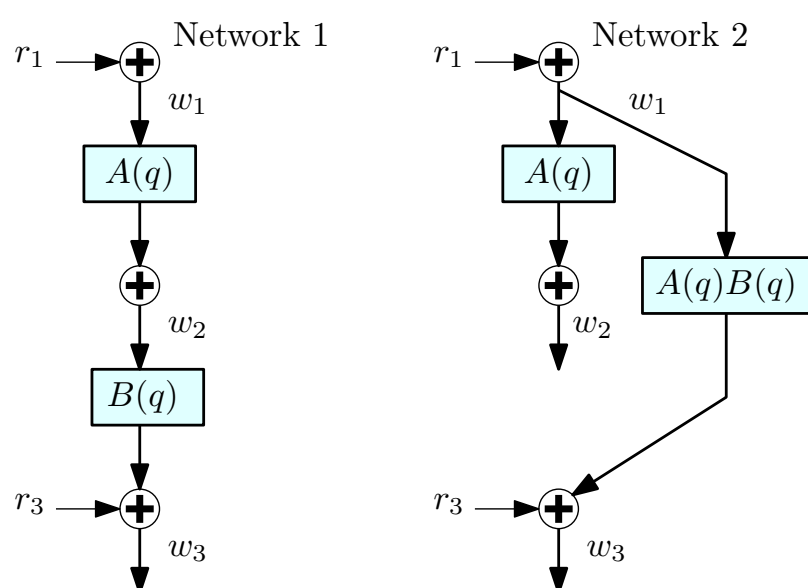


Figure 1: OH NO!! Two models generate the same mapping from external variables r to internal variables w .

Network, predictor, model structure

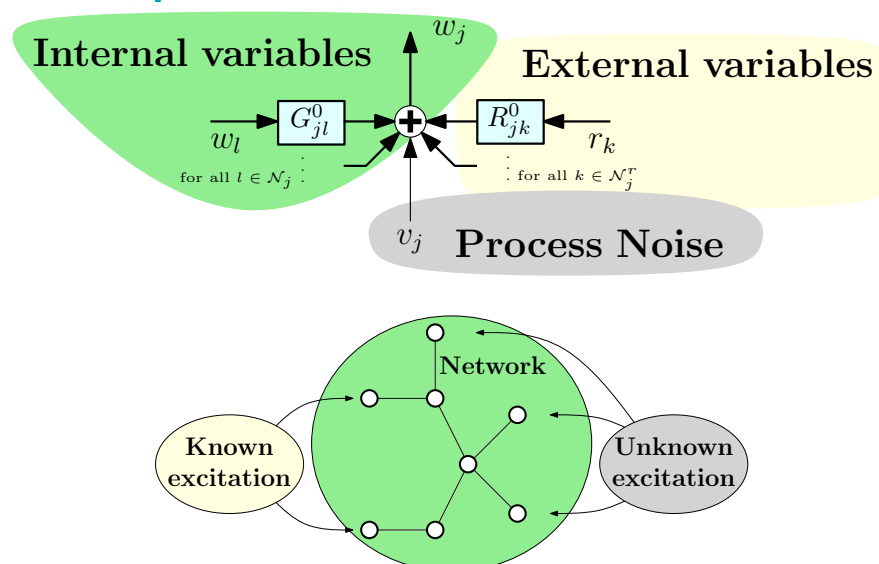


Figure 2: The network (top) is constructed by connecting all the building blocks (bottom).

All nodes w_j are stacked into columnvector w . Then we have

$$\begin{aligned} \text{Network:} & \quad w = G^0 w + R^0 r + H^0 e \\ \text{Predictor:} & \quad \hat{w}(t|t-1, \theta) = W_w(q, \theta)w(t) + W_r(q, \theta)r(t) \\ \text{Predictor filters:} & \quad W_w = I - H^{-1}(I - G), \quad W_r = H^{-1}R \\ \text{Model structure:} & \quad \mathcal{M} = \{G(q, \theta), H(q, \theta), R(q, \theta)\}. \end{aligned}$$

Note that G and G^0 have zeros on the diagonal.

$\hat{w}(\theta_1) = \hat{w}(\theta_2)$	Predictor equality
① \Updownarrow	Conditional: Data must be informative .
$W_w(\theta_1) = W_w(\theta_2)$ $W_r(\theta_1) = W_r(\theta_2)$	Predictor filter equality
② \Updownarrow	Unconditional ²
$T(\theta_1) = T(\theta_2)$	Mapping equality
③ \Updownarrow	Conditional ² : see conditions below,
$\mathcal{M}(\theta_1) = \mathcal{M}(\theta_2)$	Model equality
④ \Updownarrow	Conditional: classical identifiability .
$\theta_1 = \theta_2$	Parameter equality

Results

Definition: \mathcal{M} is called a **globally network identifiable** model structure when ③ holds.

Theorem: When G is as flexible as possible then ③ holds when $\begin{bmatrix} H(q, \theta) & R(q, \theta) \end{bmatrix} P(q)$ has a leading diagonal for some $P(q)$ ².

example: Choose $H(q, \theta)$ diagonal. Plugging it into predictor filter W_w shows that \mathcal{M} is globally network identifiable. Diagonal H corresponds to having uncorrelated noise on every node.

Conclusion

The one-to-one relation between (parameterized) predictor filters and model is conditional in case of dynamic networks. Combinations of H and R can lead to a network identifiable \mathcal{M} , it is not necessary that H is diagonal. When H is not diagonal networks where noises are correlated can be considered.

References

- ¹L. Ljung. *System Identification: Theory for the User*. Prentice-Hall, 1999.
- ²H.H.M. Weerts, A.G. Dankers, and P.M.J. Van den Hof. Identifiability in dynamic network identification. In *17th IFAC Symposium on System Identification*, 2015.