

Compensation of the pattern effect in SOAs

Citation for published version (APA):

Patent, E. A., Tol, van der, J. J. G. M., Calabretta, N., & Liu, Y. (2001). Compensation of the pattern effect in SOAs. In *Proceedings of the International Workshop on Optical Signal Processing (SCOOP 2001) November 29 - 30, 2001, Copenhagen, Denmark* (pp. 99-101). COST action 267 and SCOOP.

Document status and date:

Published: 01/01/2001

Document Version:

Accepted manuscript including changes made at the peer-review stage

Please check the document version of this publication:

- A submitted manuscript is the version of the article upon submission and before peer-review. There can be important differences between the submitted version and the official published version of record. People interested in the research are advised to contact the author for the final version of the publication, or visit the DOI to the publisher's website.
- The final author version and the galley proof are versions of the publication after peer review.
- The final published version features the final layout of the paper including the volume, issue and page numbers.

[Link to publication](#)

General rights

Copyright and moral rights for the publications made accessible in the public portal are retained by the authors and/or other copyright owners and it is a condition of accessing publications that users recognise and abide by the legal requirements associated with these rights.

- Users may download and print one copy of any publication from the public portal for the purpose of private study or research.
- You may not further distribute the material or use it for any profit-making activity or commercial gain
- You may freely distribute the URL identifying the publication in the public portal.

If the publication is distributed under the terms of Article 25fa of the Dutch Copyright Act, indicated by the "Taverne" license above, please follow below link for the End User Agreement:

www.tue.nl/taverne

Take down policy

If you believe that this document breaches copyright please contact us at:

openaccess@tue.nl

providing details and we will investigate your claim.

Compensation of the pattern effect in SOAs

E.A. Patent, J.J.G.M. van der Tol, N. Calabretta, Y. Liu

Eindhoven University of Technology
Inter-University Research Institute COBRA on Communication Technology
Faculty of Electrical Engineering,
Opto-Electronic Devices and Electro-Optics Communication groups
P.O. Box 513, 5600MB Eindhoven, The Netherlands.
E-mail: e.a.patent@tue.nl

Degradation of high power signals is observed at bitrates comparable to the gain recovery in Semiconductor Optical Amplifiers (SOA). The device studied here reduces this pattern effect of SOAs. It is a non-linear Mach-Zehnder interferometer with a SOA in each branch. It has an unequal input power distribution over the branches, which themselves are identical. This causes destructive interference at the output for low power inputs. Conversely, different phase shifts for high power inputs result in constructive interference. Therefore, gain saturation is observed for much higher input powers. This results in reduced pattern effects. Simulations and experiments confirm the performance.

Introduction

A serious restriction on the operation of SOAs is caused by the gain saturation effect. This effect is caused by carrier depletion and results in the optical gain reduction at high input powers. In optical transmission systems this can lead to a serious waveform distortion, also known as the pattern effect [1, 2]. It is observed when an intense input signal is applied to the SOA at the bitrates comparable to the gain recovery.

If the bitrate is lower than the gain recovery, the leading part (fig.1, part I) of the pulse is amplified with unsaturated gain, and the output of the trailing part subsequently decreases as the SOA gain saturates (fig. 1, part II). At high bitrates the amplifier gain does not return to the unsaturated value and even a leading part is amplified with a partially saturated gain value [2].

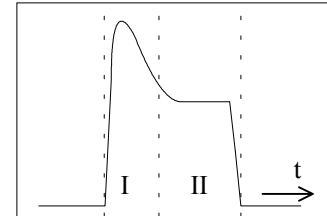


Fig. 1. Distorted pulse from a SOA.

In the present paper we demonstrate a device that is aimed to reduce the unwanted pulse form distortion.

Concept of the device

The interferometric suppression of the pattern effect was proposed in [3], where unequal branches in the Mach-Zehnder (MZ) structure were used. In the device proposed here equal branches are used, leading to more stable and simple operation. The pattern effect compensator is schematically presented in figure 2. It is a MZ Interferometer (MZI) with SOA in each branch. An unbalanced 2-to-2 coupler distributes the input signal unevenly over the branches of MZI. Another 2-to-2 coupler with coupling ratio 0.5 is placed at the output of the MZI [4].

In the considered device optical power is injected into the input port 1 and detected at the output port 3. The 85/15 coupler induces a 90° phase shift and distributes the light unevenly over the branches. SOA2 is then working in the unsaturated regime and does not induce an additional phase shift. The leading part of the optical pulse injected in SOA1 is also amplified with unsaturated gain. The output coupler induces additional 90° phase shift and the total 180° phase difference between signals from either of the branches at the output port 3 lead to destructive interference. Because of the unequal power distribution over the branches the destructive interference is incomplete and some signal will still be present at the output.

With higher optical power injected, SOA1 comes in the saturation regime (region II, fig.1) and therefore both waveform distortion and additional phase shift are induced. If the obtained phase shift is 180° , signals from both branches then interfere constructively. The net effect is that the leading edge of the pulse (fig. 1, region I), when no carrier depletion is present, shows a lower signal because of destructive interference, the trailing edge on the other hand (region II) experiences carrier depletion and thus constructive interference, so there a higher signal is obtained. In this way the pulse distortion can be compensated.

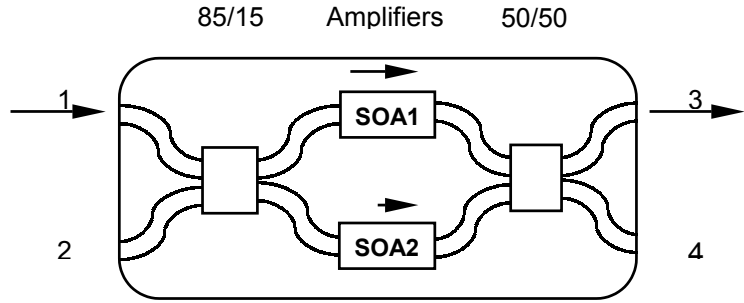


Fig. 2. Schematic layout of the pattern effect compensator.

Simulation results

The simulations were performed with *Virtual Photonics Inc.* software. One of the key parameters that defines the non-linear phase shift in the SOA as a function of gain saturation is a linewidth enhancement factor α . In the simulations the value of α was chosen to be 11, which is from the typical values range

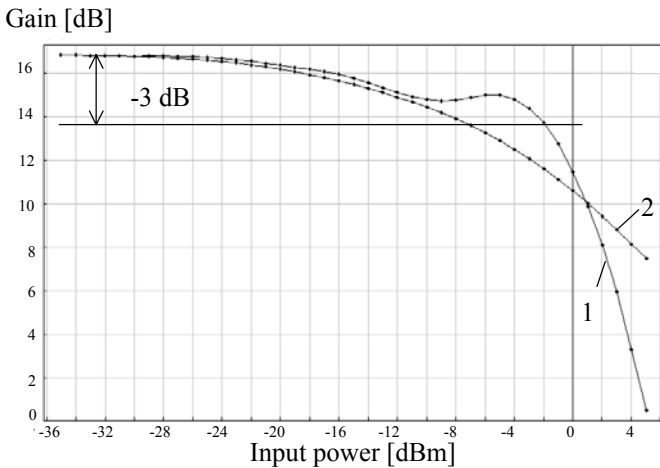


Fig. 3. Gain saturation curves: 1- interferometric structure, 2- SOA with the same small-signal gain. Input power extension is 5 dB.

The calculated gain saturation curve of the interferometric structure is presented in figure 3. A saturation curve of a SOA with comparable small-signal gain is also calculated and presented in figure 3.

The pattern effect compensation function of the device is studied with a pulsed optical input signal applied to the port 1 (fig. 4 (a)). A power range for which the compensation can be observed is from 0.3 to 0.7 mW (or 3.7 dB). The output signal at the compensator's port 3 is shown in figure 4 (b), curve 2.

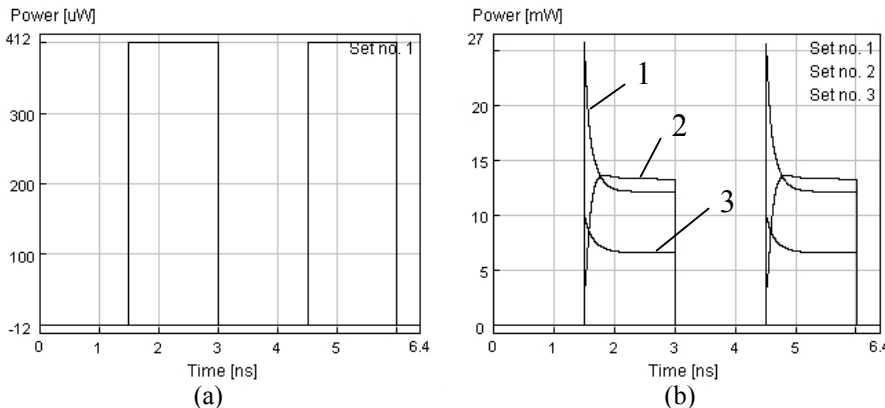


Fig. 4. Input (a) and output (b) pulses of the interferometric structure and SOAs. Curves: 1-output of SOA used in the branches of MZ-interferometer, 2-output of the compensator, 3-output of a SOA with the equal to the device small-signal gain.

The compensated output is compared with the pulses from the SOA from the high power branch of the MZI, and with a SOA with the small-signal gain equal to that of the interferometer. In the first case the calculated gain improvement is 0.5 dB, in the second case 3 dB.

Experimental results

The pattern effect compensation function is verified with a fiber-based interferometric structure [4]. The set-up used in the experiments is shown in figure 5. The two SOAs placed in the arms of the MZI are JDS-Uniphase SOA-type CQF 872 with a measured linewidth enhancement factor of 7.2 [4]. Measurements are performed at $\lambda=1554.13$ nm to compare the waveforms at the output of the single SOA and the interferometric structure (an unbalanced coupler used in

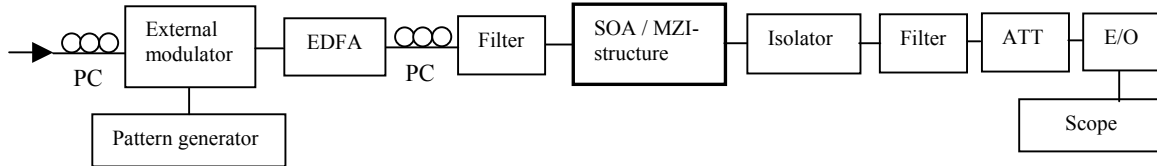


Fig. 5. The experimental set-up EDFA: Erbium Doped Fiber Amplifier, PC: Polarization Controller, ATT – Attenuator, O/E – Opto-Electronic converter.

the used has a coupling ratio 90/10). It appeared that there was a length difference in the arms of the MZI. To compensate for the induced time delay of 1.42 ns between the signals from both arms, the pattern 101010 is chosen at frequency 1.4084 GHz. In this case bit “1” and bit “0” length is 0.71 ns, so that “1”-s are obtained simultaneously from both branches. The stability of the experimental set-up is one of the main problems [4]. The phase shift value resulted from the length difference drifted during the experiment because of changes in environmental conditions and therefore the conditions for destructive and constructive interference at the output coupler are not always satisfied. This resulted in slow changes of the pattern amplitude. The results of the measurements in figure 6 correspond to the constructive interference condition, when the trailing part of the pulse has a maximum value.

Although the device clearly requires integrated realization, its compensation capabilities are shown in the fiber-based measurement set-up.

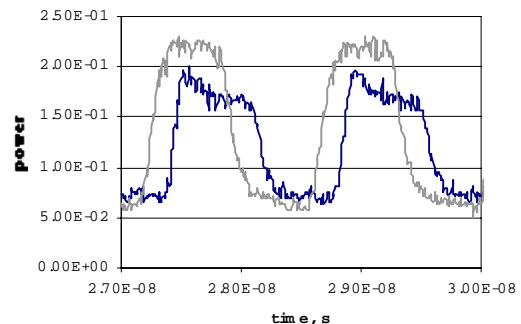


Fig. 6. Compensated (light line) and uncompensated (dark line) waveforms for an input power of -0.54 dBm (0.88 mW).

Conclusions

A symmetrical MZ structure has been proposed as a pattern effect compensator. Simulation results have shown its compensation capabilities for a range of powers of 3.7 dB. An input power range extension is 5 dB. A fiber-based pattern effect compensator has been made and experiments show the compensation behavior of the interferometric structure. The problem of instable operation can be solved by integrated technique. *This work is funded by the Dutch Technology Foundation STW.*

References

- [1] J.G.L. Jennen, "Noise and Saturation Effects in High-speed Transmission Systems with Semiconductor Optical Amplifiers", Eindhoven: Technische Universiteit Eindhoven, 2000.
- [2] K. Inoue, "Waveform Distortion in a Gain-Saturated Semiconductor Optical Amplifier for NRZ and Manchester Formats", Optoelectronics, IEE Proceedings, Vol. 144, issue 6, pp. 433-437, Dec. 1997.
- [3] Qianfan Xu et al, "A Nonsymmetrical Mach-Zehnder Interferometer for Suppressing Pattern Effect in SOAs", in proceedings of the OFC 2001, MB6-1.
- [4] J.J.G.M. van der Tol et al, "Experimental demonstration of a nonlinear optical fiber combiner", Proceedings IEEE-LEOS symposium Benelux Chapter, pp. 43-46, October 30, 2000.